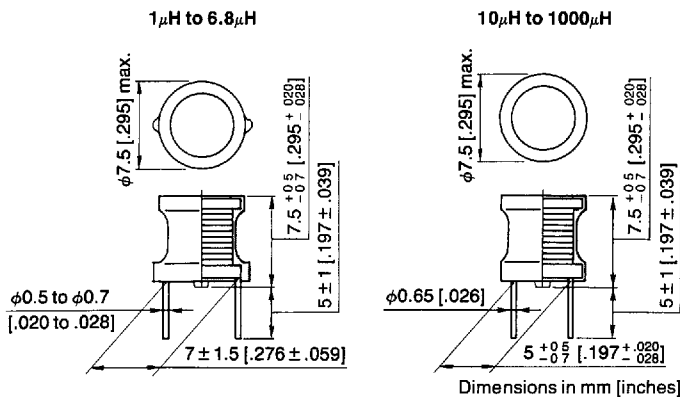


RADIAL LEAD TYPE FOR LARGE CURRENT, TSL SERIES CHARACTERISTICS

Operating temperature range	- 20 to +85°C [- 4 to +185°F] (including self-temperature rise, 20°C [36°F] max.)
Storage temperature range	- 40 to +85°C [- 40 to +185°F]
Rated current	Value obtained based on inductance change rate (10% drop in initial value) or temperature rise whichever is smaller.

TSL0707 TYPE

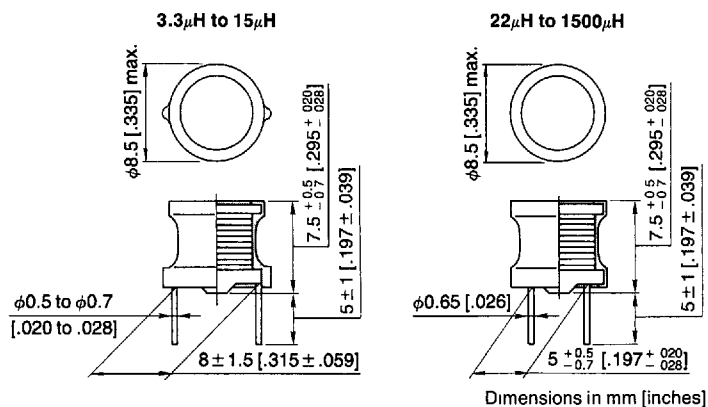


ELECTRICAL CHARACTERISTICS

Part No.	Inductance (µH)	Q min.	Test frequency L/Q (Hz)	Self-resonant frequency (MHz) min.	DC resistance (Ω) max.	Rated current (A) max.	
						Based on inductance change rate	Based on temperature rise
TSL0707-1R0M5R0	1 ± 20%	10	1k/7.96M	70	0.006	6.6	5
TSL0707-1R5M4R3	1.5 ± 20%	10	1k/7.96M	56	0.008	5.4	4.3
TSL0707-2R2M3R9	2.2 ± 20%	10	1k/7.96M	45	0.01	4.5	3.9
TSL0707-3R3M2R9	3.3 ± 20%	10	1k/7.96M	36	0.018	3.6	2.9
TSL0707-4R7M2R6	4.7 ± 20%	10	1k/7.96M	29	0.022	3.1	2.6
TSL0707-6R8M2R3	6.8 ± 20%	10	1k/7.96M	24	0.028	2.5	2.3
TSL0707-100K1R9	10 ± 10%	20	1k/2.52M	19	0.043	2.1	1.9
TSL0707-150K1R6	15 ± 10%	20	1k/2.52M	15	0.056	1.7	1.6
TSL0707-220K1R3	22 ± 10%	20	1k/2.52M	12	0.086	1.4	1.3
TSL0707-330K1R0	33 ± 10%	20	1k/2.52M	9.4	0.14	1.1	1
TSL0707-470KR94	47 ± 10%	20	1k/2.52M	7.6	0.17	0.96	0.94
TSL0707-680KR73	68 ± 10%	20	1k/2.52M	6.2	0.28	0.79	0.73
TSL0707-101KR66	100 ± 10%	20	1k/796k	5	0.33	0.66	0.67
TSL0707-151KR52	150 ± 10%	20	1k/796k	4	0.56	0.53	0.52
TSL0707-221KR44	220 ± 10%	20	1k/796k	3.2	0.72	0.44	0.46
TSL0707-331KR36	330 ± 10%	20	1k/796k	2.5	1.1	0.36	0.37
TSL0707-471KR30	470 ± 10%	20	1k/796k	2	1.7	0.3	0.3
TSL0707-681KR25	680 ± 10%	20	1k/796k	1.7	2.3	0.25	0.26
TSL0707-102KR19	1000 ± 10%	70	1k/252k	1.3	4.3	0.2	0.19

Inductors

TSL0807 TYPE

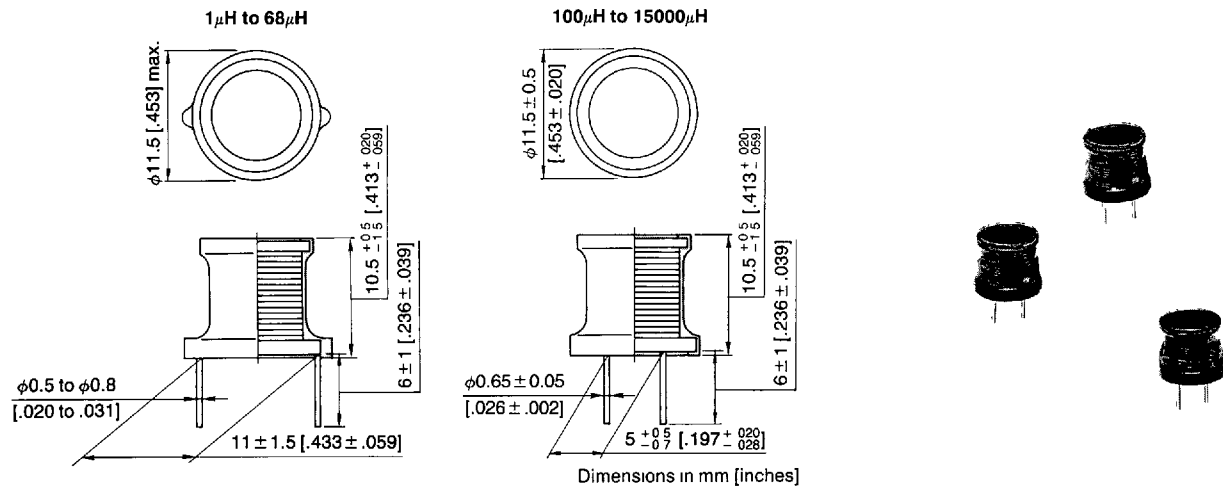


ELECTRICAL CHARACTERISTICS

Part No.	Inductance (µH)	Q min.	Test frequency L/Q (Hz)	Self-resonant frequency (MHz) min.	DC resistance (Ω) max.	Rated current (A) max.	
						Based on inductance change rate	Based on temperature rise
TSL0807-3R3M3R4	3.3 ± 20%	10	1k/7.96M	38	0.013	4.5	3.4
TSL0807-4R7M3R0	4.7 ± 20%	10	1k/7.96M	30	0.017	3.7	3
TSL0807-6R8M2R6	6.8 ± 20%	10	1k/7.96M	24	0.022	3.1	2.6
TSL0807-100K2R2	10 ± 10%	20	1k/2.52M	19	0.031	2.5	2.2
TSL0807-150K1R9	15 ± 10%	20	1k/2.52M	15	0.042	2	1.9
TSL0807-220K1R5	22 ± 10%	20	1k/2.52M	12	0.07	1.6	1.5
TSL0807-330K1R2	33 ± 10%	20	1k/2.52M	10	0.092	1.3	1.2
TSL0807-470K1R0	47 ± 10%	20	1k/2.52M	8.2	0.13	1.1	1
TSL0807-680KR91	68 ± 10%	20	1k/2.52M	6.6	0.16	0.91	0.97
TSL0807-101KR75	100 ± 10%	15	1k/796k	5.4	0.23	0.75	0.81
TSL0807-151KR61	150 ± 10%	15	1k/796k	4.3	0.4	0.61	0.61
TSL0807-221KR50	220 ± 10%	15	1k/796k	3.5	0.53	0.5	0.53
TSL0807-331KR41	330 ± 10%	15	1k/796k	2.8	0.78	0.41	0.44
TSL0807-471KR34	470 ± 10%	10	1k/796k	2.3	1	0.34	0.39
TSL0807-681KR28	680 ± 10%	10	1k/796k	1.9	1.5	0.28	0.32
TSL0807-102KR23	1000 ± 10%	20	1k/252k	1.5	2.2	0.23	0.26
TSL0807-152KR18	1500 ± 10%	30	1k/252k	1.2	3.5	0.18	0.21

Inductors

TSL1110 TYPE



ELECTRICAL CHARACTERISTICS

Part No.	Inductance (µH)	Q min.	Test frequency L/Q (Hz)	Self-resonant frequency (MHz) min.	DC resistance (Ω) max.	Rated current (A) max.	
						Based on inductance change rate	Based on temperature rise
TSL1110-1R0M6R4	1 ± 20%	10	1k/7.96M	85	0.004	10	6.4
TSL1110-1R5M5R6	1.5 ± 20%	10	1k/7.96M	64	0.005	8.3	5.6
TSL1110-2R2M5R0	2.2 ± 20%	10	1k/7.96M	48	0.006	6.9	5
TSL1110-3R3M4R5	3.3 ± 20%	10	1k/7.96M	36	0.008	5.6	4.5
TSL1110-4R7M4R0	4.7 ± 20%	10	1k/7.96M	28	0.009	4.7	4
TSL1110-6R8M3R5	6.8 ± 20%	10	1k/7.96M	22	0.012	3.9	3.5
TSL1110-100M3R2	10 ± 20%	20	1k/2.52M	16	0.015	3.2	3.2
TSL1110-150M2R6	15 ± 20%	20	1k/2.52M	12	0.019	2.6	2.8
TSL1110-220K2R2	22 ± 10%	20	1k/2.52M	9.5	0.026	2.2	2.4
TSL1110-330K1R8	33 ± 10%	20	1k/2.52M	7	0.045	1.8	1.8
TSL1110-470K1R5	47 ± 10%	20	1k/2.52M	5.8	0.056	1.5	1.6
TSL1110-680K1R2	68 ± 10%	20	1k/2.52M	4.7	0.092	1.2	1.3
TSL1110-101K1R0	100 ± 10%	20	1k/796k	3.8	0.12	1	1.1
TSL1110-151K82	150 ± 10%	20	1k/796k	3.1	0.2	0.82	0.87
TSL1110-221K868	220 ± 10%	20	1k/796k	2.5	0.25	0.68	0.77
TSL1110-331K855	330 ± 10%	20	1k/796k	2	0.42	0.55	0.6
TSL1110-471K846	470 ± 10%	15	1k/796k	1.6	0.51	0.46	0.54
TSL1110-681K838	680 ± 10%	15	1k/796k	1.3	0.79	0.38	0.44
TSL1110-102K831	1000 ± 10%	20	1k/252k	1.1	1.3	0.31	0.34
TSL1110-152K825	1500 ± 10%	20	1k/252k	0.82	1.7	0.25	0.3
TSL1110-222K821	2200 ± 10%	20	1k/252k	0.76	2.9	0.21	0.23
TSL1110-332K817	3300 ± 10%	20	1k/252k	0.64	3.7	0.17	0.2
TSL1110-472K814	4700 ± 10%	20	1k/252k	0.54	5.6	0.14	0.16
TSL1110-682K812	6800 ± 10%	20	1k/252k	0.45	9.4	0.12	0.13
TSL1110-103K810	10000 ± 10%	70	1k/79.6k	0.38	12	0.1	0.11
TSL1110-153K808	15000 ± 10%	50	1k/79.6k	0.29	15	0.082	0.1